

FUTURENT® III ENT treatment unit

The new generation for the future!



Product code: 980800/F/NW
FUTURENT® III – Thermopal worktop

Product code: 980800/F/GLASS/NW
FUTURENT® III – Tempered coloured glass worktop

Product code: 980800/F/MAR/NW
FUTURENT® III – Marlan (synthetic granite/marble) worktop

Derived from a long line of solutions, the FUTURENT® III ENT treatment unit is ergonomically designed to simplify ENT OPD procedures, vastly improve efficiency and reduce user fatigue in the ENT consulting or treatment room. Touch-screen operation, hygienic materials, carefully selected finishes and other elements are combined to form the basis of an efficient, durable and patient-friendly setting. Modern electronics help optimise efficiency and minimise downtime. Modular furniture can be added to the FUTURENT® III in accordance with particular requirements, available space and budget to create an ergonomic ENT suite. This further improves efficiency and gives the consulting or treatment room a professional ambience.

Optimum storage space

A dual-level worktop is available in scratch and stain resistant coloured glass, Marlan synthetic granite and Thermopal laminate. The FUTURENT® III is equipped with two illuminated instrument plateaus with stainless steel inserts located beneath the upper

Maximum instrument and accessory storage space

worktop, two storage drawers with adjustable dividers and two large drawers with openings for waste disposal and used instruments.

Hygienic design

In order to stay one step ahead of the hygiene regulations, the FUTURENT® III is designed without handles and knobs.

Designed without handles and knobs

The unit is equipped with push-to-open drawers with soft-close. The drawer fronts are completely flush. This makes it easier to keep the drawers clean thus helping to improve infection control.



INSTRUMENT PLATEAUS & DRAWERS



WASTE & USED INSTRUMENTS DRAWERS



PIVOTED CONTROL CONSOLE FOR CONVENIENT POSITIONING

Superior ergonomic design

The FUTURENT® III is ergonomically optimized. The instrument plateaus and handpiece holders are close together to prevent the user from overstretching. Also the height of the instrument plateaus and handpiece holders are ergonomically correct. Optionally the

Superior ergonomic design for reduced user fatigue

openings can be omitted for improved hygiene. The handpiece holder section slides to one side to reveal a compartment in which external devices can be kept. This utilises space within easy reach of the user that would otherwise be lost.

Central operation

External devices and equipment, such as a patient examination chair, audiometer and room lighting, can be connected to the FUTURENT® III to allow central operation of all equipment.



Don't let your equipment
hinder your performance

Integrated functions by choice

The FUTURENT® III can be equipped with a wide selection of integrated functions to accommodate specific requirements and budget.

- Suction system (automatically activated)
- Rinsing facility for hose and secretion receptacle
- Automatic secretion discharge with automatic cleaning
- Small basin with irrigation for clearing blocked suction tubes
- Compressed air c/w 3 atomisers (automatically activated)
- LED fibre optic light source for rigid and flexible endoscopes (automatically activated)
- LED fibre optic light source with switchable hook for examination headlight
- Cordless examination headlight with battery charger integrated in the treatment unit (automatically activated)
- Warm water irrigator (single and 3 temperature model) and caloric testing (automatically activated)
- Heated or non-heated rigid telescope holders
- Flexible scope holder
- Cautery power sockets
- Low voltage power source
- Examination microscope
- Full HD video endoscopy imaging system with state-of-the-art software
- 24" Full HD monitor
- LED stroboscope (doubles as light source for endoscopes)
- 100 W coagulator (mono and bipolar modes)
- Rhinomanometer
- Tympanometer with EFT function
- Sinus echography
- Mirror preheater rack for up to 60 mirrors
- Hot air mirror heater (automatically switches off after 3 seconds)

Vast choice of integrated functions





Intergrated Full HD Endoscopy camera

The Enteredmed Full HD Camera is a high definition camera which comes with a user friendly software package. This allows images and videos to be saved to disk via the foot switch provided. Thumbnails make it possible to conveniently revert back to saved images

The picture quality is remarkably crisp and clear

and videos during the session. The picture quality is remarkably crisp and clear when used with rigid endoscopes. For flexible nasopharyngolaryngoscopes, we highly recommend an SD camera system that can be integrated in the same manner. SD cameras are

more suited to conventional flexible fibre scopes due to the moiré effect being suppressed by the lower resolution.

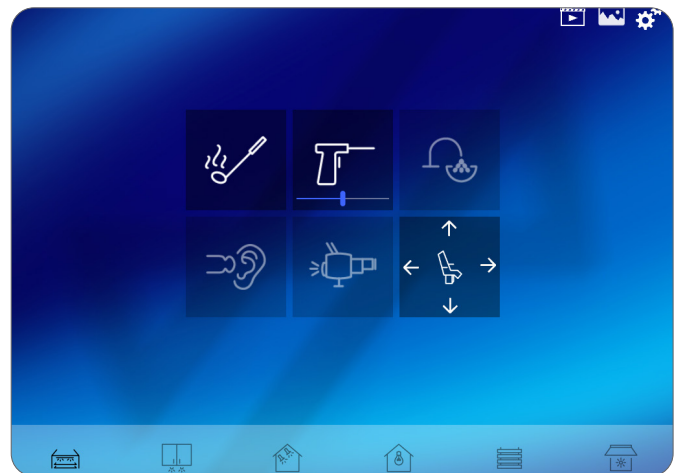
Multi diagnostic centre for ENT

The integrated Diagnostic Centre allows the addition of a video-endoscopy camera, tympanometer, rhinomanometer and stroboscopy system into the ENT treatment unit. Enteredmed can supply patient management software and HL7 interface as an option, which allows the centralised storage of images, videos and patient data.

The integrated ENT devices are automatically activated by means of infrared sensors when the handpieces are removed from their holders. Other features are operated via the control console.



PICTURE LIBRARY FOR PATIENT EXPLANATION



VIRTUAL CONTROL CONSOLE CAN BE EASILY KEPT CLEAN

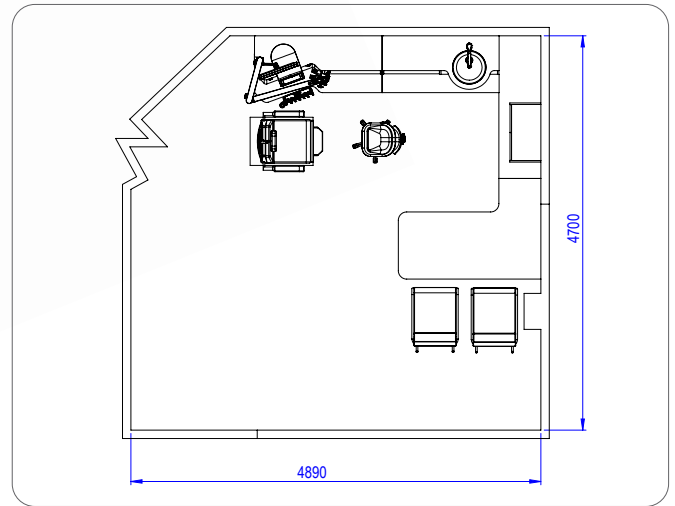
Floor plan

On request, the company's designers can produce a floor plan of the consulting room, illustrating the recommended position of the FUTURENT® III, modular furniture and patient chair in relation to windows and doorways to ensure maximum efficiency.

Custom made in accordance with specific requirements

Modular

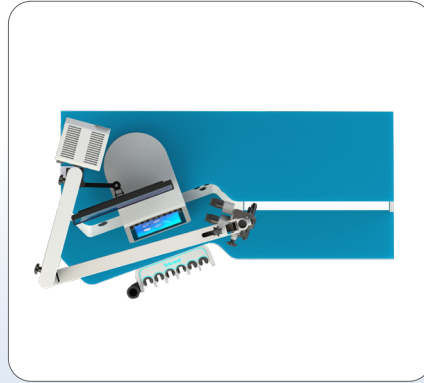
The FUTURENT® III can be combined with a wide variety of matching furniture in a variety of colours and styles to form a complete ENT suite. This further improves efficiency and gives the consulting room a professional ambience. Entermed treatment units and complementary modular furniture are hand built to the highest standards, according to the client's specifications and requirements, at Entermed's facility in the Netherlands.



Mobile and fixed

The FUTURENT® III comes on castors so it can be moved easily. At the same time, it is equipped with adjustable legs that can be rotated individually into position to secure the unit and level it on uneven floors.





Complementary matching furniture

The FUTURENT® III ENT treatment unit can be supplemented with additional furniture such as:

- Washbasin section. This can be integrated in the unit or supplied as a separate entity.
- Desk section. This can be integrated in the unit or fitted as a separate entity.
- Eye-level wall cabinets.
- Extra worktop and shelving matching the ENT unit.

FUTURENT® III modules

FUTURENT® III ENT treatment unit with Themopal laminate, Marlan or toughened glass dual-level work top.



WASHBASIN SECTION & DRAWER CABINET



Material & colour options

The FUTURENT® III ENT treatment unit can be produced with front panels in every RAL-colour. The dual-level worktop is available in scratch and stain resistant coloured glass, Marlan synthetic granite and Thermopal laminate.

worktop in a medical setting. The FUTURENT® III can be fitted with a glass worktop in various colours. Marlan is available in many different colours and designs. It is a dense, non-porous material that can be easily repaired. Even scratches and stains can be easily removed. Marlan is highly hygienic and resistant to chemicals.

8

Choice of materials and colours for worktop

Toughened glass is a hygienic material and it is highly resistant to scratching and staining. It is durable and will last for many years. Glass is also ideal for use as a



Patient chairs and doctor stools

Entermed patient chair

Fully automatic patient examination chair

- Elegant design
- Folding footrest, adjustable armrests
- Synchronised backrest and leg rest
- Stainless steel base
- Electric height & back adjustment
- Rotation 350° with rotation lock
- Dual functions foot switch (up, down-front, back)
- Maximum load: 180 kg
- Vertical position up to +5°
- Horizontal position up to -20°
- Large variety of colours and upholstery design



760106 | ENT PATIENT CHAIR



30142 | REGULAR STOOL



753000 | BUCKET STOOL

Don't let your equipment
hinder your performance

Optional accessories

Enterview® III - 5500

LED cordless examination headlight

- Cordless, rechargeable design
- Automatic on/off function
- Bright LED light
- Adjustable spot size
- Fully adjustable link between headband and lamp housing
- Adjustable headband with removable covering
- Multipurpose
- Approx battery life 4.5 hours
- Light weight



1030220



844080/III | ENTHERMO III



ESG-10-10-13 | ENTERWAVE MINI
4MHZ RADIO FREQUENCY GENERATOR



ESG-01-01-70-INT | ENTERMED 1E
HIGH FREQUENCY GENERATOR



30-170-36 | FLEXIBLE NASO-
PHARYNGO LARYNGOSCOPE

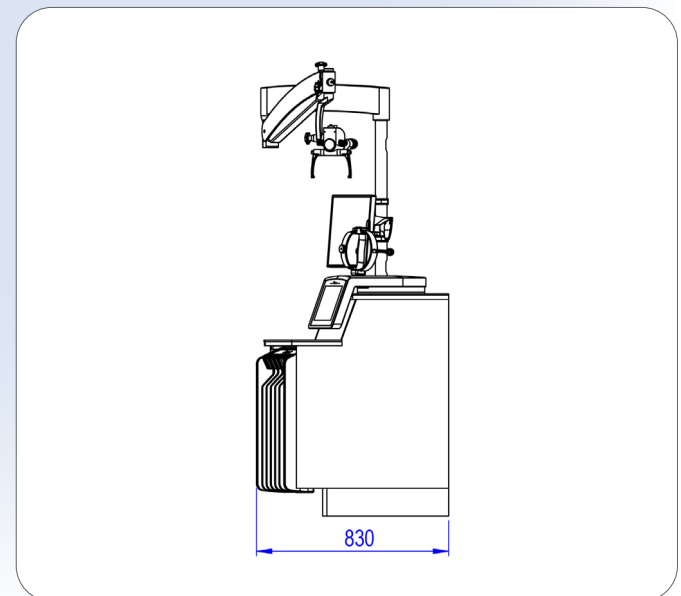
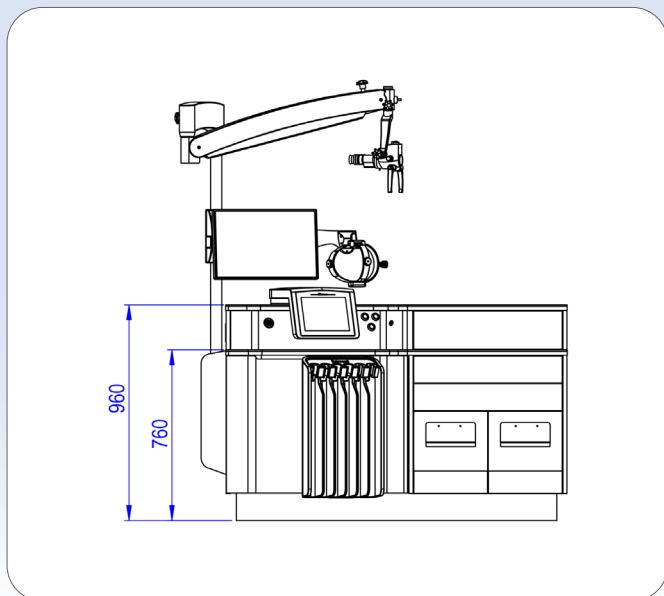
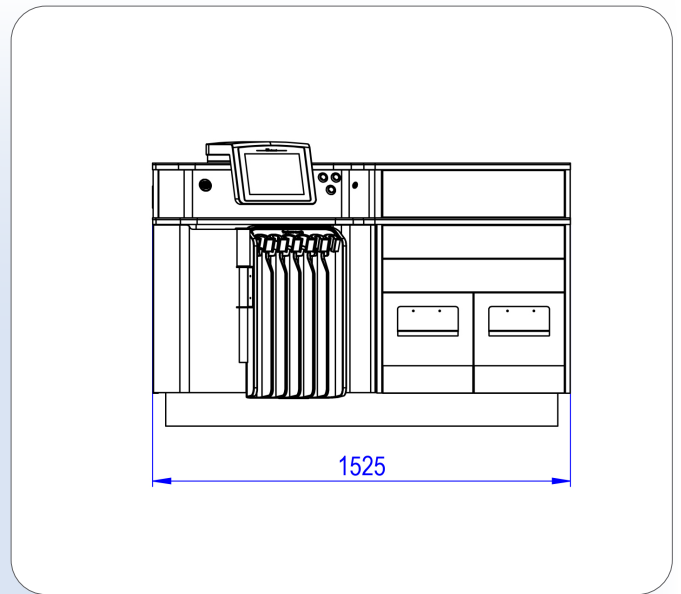
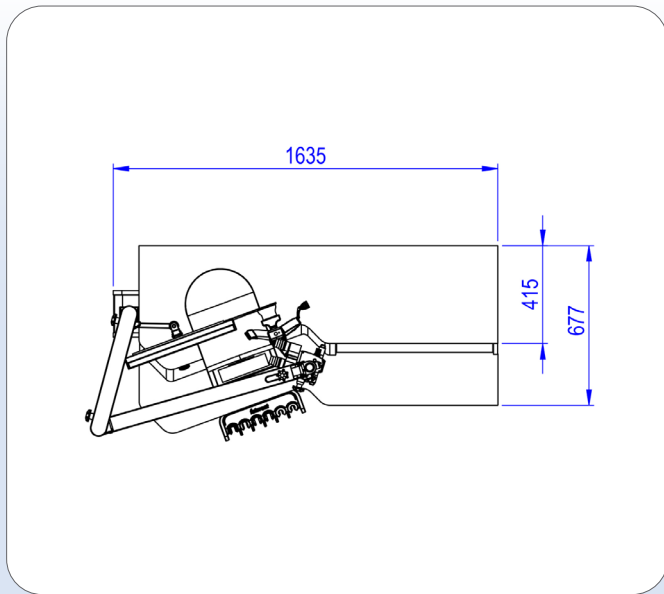


812655/812665 | POLITZER OLIVE
18 / 22 MM, FITS DIRECTLY INTO
COMPRESSOR HANDPIECE



06000 | EAR RINSE CUP WITH
CONNECTION FOR SUCTION HOSE

Dimensions



Don't let your equipment hinder your performance

Technical specifications

Voltage	230 Volt AC - 50/60 Hz
Power	2300 VA (circa 2000 Watt)
Weight	230 kg
Dimensions	1520 mm (w) x 830 mm (d) x 1040 mm (h)

EUROPE

Entermed BV
Steenovenweg 4 | 3417 XR Montfoort
The Netherlands
Tel: +31 30 7200 880

MIDDLE EAST

Entermed BV
Saif-Zone
P. O. Box 8285
Sharjah
United Arab Emirates
Tel: +971 50 4623 865